

# AMS (deb>200l/mn) Stainless steel centrifugal pump



## Application

- Suitable for domestic use, overpressure of pipe, watering of gardens, fish farming, industry and mines, air conditioning systems, etc ...

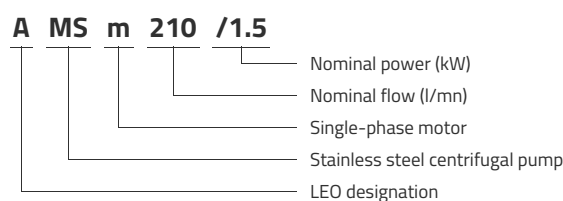
## Pompe

- Stainless steel pump body AISI 304
- AISI 304 stainless steel shaft
- Maximum liquid temperature: +85°C
- Altitude of use: up to 1000 m

## Moteur

- Integrated thermal protection for single-phase motors
- Insulation class: F
- Protection class: IPX4
- Maximum ambient temperature: +40°C

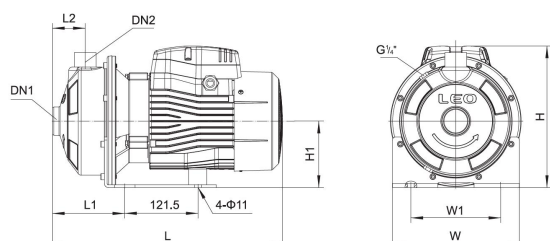
## Identification codes



## Technical data

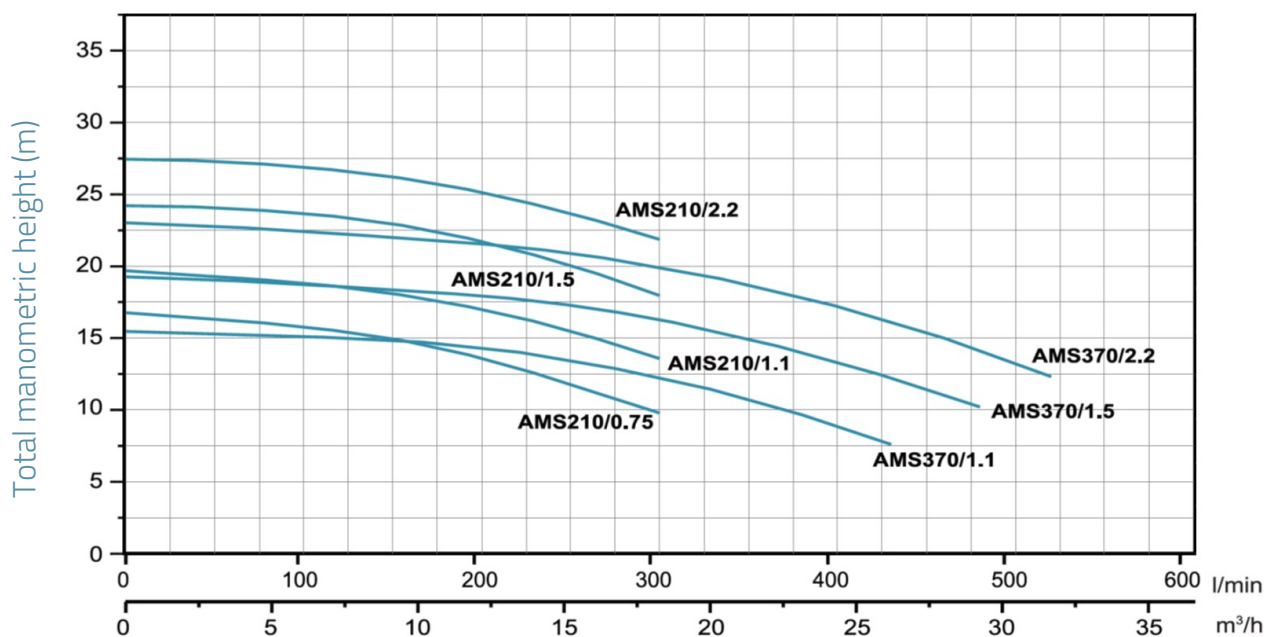
MODEL	kW	Q (m³/h)	0	1.8	3.6	6	7.2	8.4	9.6	10.8	12	15	18	21	24	26	29	31
		Q (l/min)	0	30	60	100	120	140	160	180	200	250	300	350	400	433	483	517
AMSm210/0.75	0.75	16.8				15.6	15.2	14.8	14.2	13.6	11.9	9.8						
AMS210/0.75	0.75	16.8				15.6	15.2	14.8	14.2	13.6	11.9	9.8						
AMSm210/1.1	1.1	19.7				18.7	18.3	18	17.5	17.1	15.6	13.6						
AMS210/1.1	1.1	19.7				18.7	18.3	18	17.5	17.1	15.6	13.6						
AMSm210/1.5	1.5	24.2				23.5	23.2	22.8	22.4	21.8	20.2	18						
AMS210/1.5	1.5	24.2				23.5	23.2	22.8	22.4	21.8	20.2	18						
AMS210/1.5-380V-SA	1.5	24.2				23.5	23.2	22.8	22.4	21.8	20.2	18						
AMSm210/2.2	2.2	27.5				26.7	26.5	26.1	25.7	25.2	23.8	21.9						
AMSm370/1.1	1.1	15.4							14.7	14.4	13.5	12.3	10.8	8.9	7.6			
AMS370/1.1	1.1	15.4							14.7	14.4	13.5	12.3	10.8	8.9	7.6			
AMSm370/1.5	1.5	19.3							18.1	17.3	16.3	15	13.3	12.3	10.2			
AMSm370/2.2	2.2	23.1							21.7	20.9	20	18.8	17.2	16.2	14.2	12.3		
AMS370/2,2	2.2	23.1							21.7	20.9	20	18.8	17.2	16.2	14.2	12.3		

## Dimensions



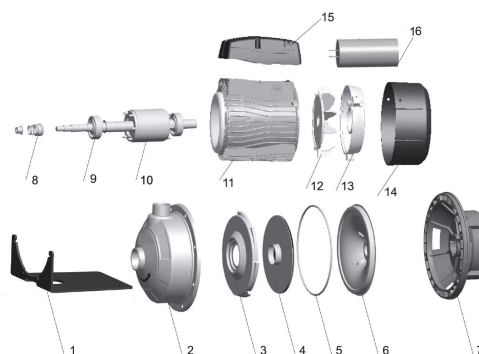
MODEL	DN1	DN2	L	W	H	L1	L2	W1	H1
AMSm210/0.75	1½	1¼	392	210	234	129	55	149	110
AMS210/0.75	1½	1¼	392	210	234	129	55	149	110
AMSm210/1.1	1½	1¼	392	210	234	129	55	149	110
AMS210/1.1	1½	1¼	392	210	234	129	55	149	110
AMSm210/1.5	1½	1¼	440	210	250	129	55	149	110
AMS210/1.5	1½	1¼	440	210	250	129	55	149	110
AMS210/1.5-380V-SA	1½	1¼	440	210	250	129	55	149	110
AMSm210/2.2	1½	1¼	440	210	250	129	55	149	110
AMSm370/1.1	2	1¼	392	210	234	129	55	149	110
AMS370/1.1	2	1¼	392	210	234	129	55	149	110
AMSm370/1.5	2	1¼	440	210	250	129	55	149	110
AMS370/1.5	2	1¼	440	210	250	129	55	149	110
AMSm370/2.2	2	1¼	440	210	250	129	55	149	110
AMS370/2,2	2	1¼	440	210	250	129	55	149	110

## Hydraulic performance



## Exploded view

No.	Type	Materials
1	Base	steel
2	Pump body	AISI 304 stainless steel
3	Diffuser	AISI 304 stainless steel
4	Impeller	AISI 304 stainless steel
5	O-ring	nitrile rubber (NBR)
6	Pump bottom	AISI 304 stainless steel
7	Lantern	cast aluminum ZL102
8	Mechanical seal	silicone / carbon
9	Bearing	
10	Rotor	
11	Stator	
12	Fan	polypropylene
13	Rear cover	cast aluminum ZL102
14	Fan cover	polypropylene
15	Electric box cover	ABS
16	Capacitor	



## Packaging

MODEL	Weight (kg)	Length L (mm)	Width W (mm)	Height H (mm)
AMSm210/0.75	14	410	240	270
AMS210/0.75	14	410	240	270
AMSm210/1.1	15	410	240	270
AMS210/1.1	15	410	240	270
AMSm210/1.5	18	465	240	270
AMS210/1.5	18	465	240	270
AMSm210/1.5-380V-SA	18	465	240	270
AMSm210/2.2	20	465	240	270
AMSm370/1.1	15	410	240	270
AMS370/1.1	15	410	240	270
AMSm370/1.5	18	465	240	270
AMSm370/2.2	20	465	240	270
AMS370/2,2	0	0	0	0

